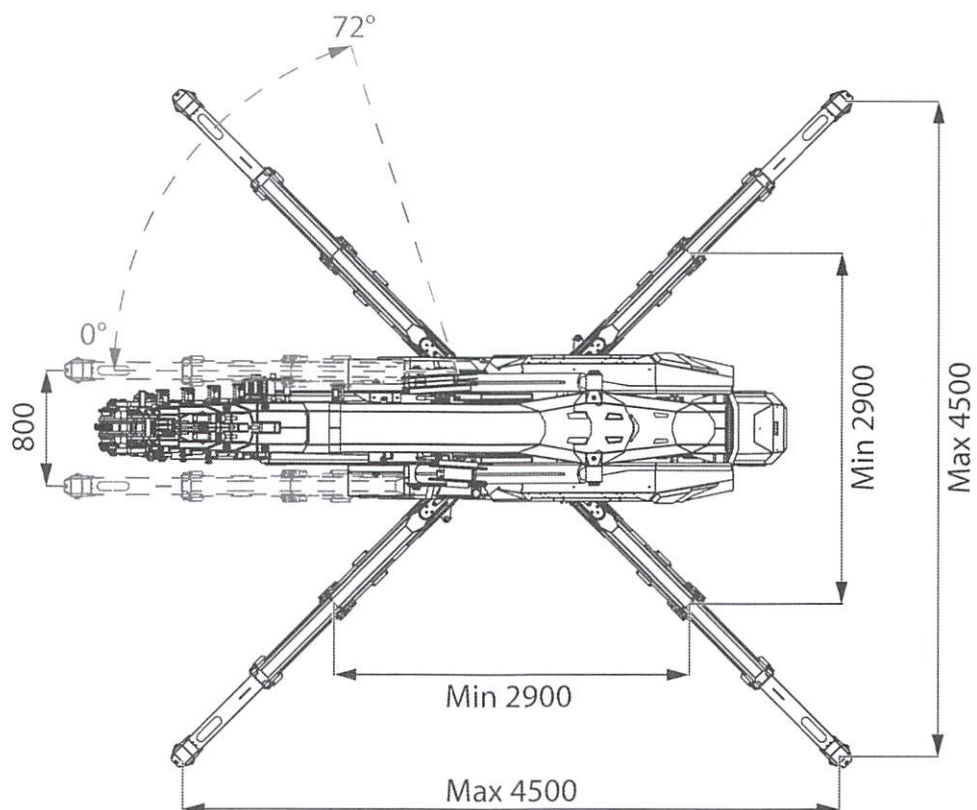
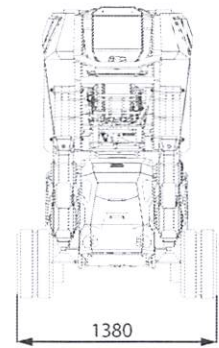
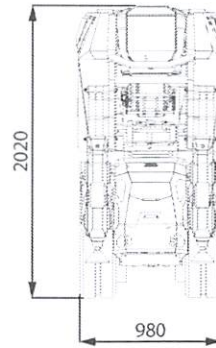
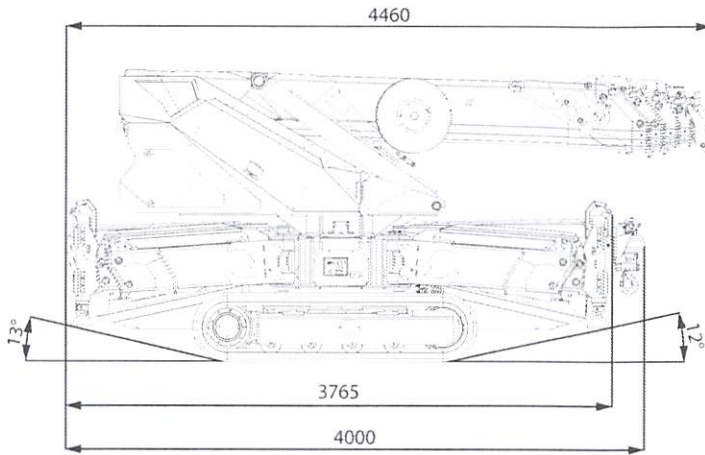


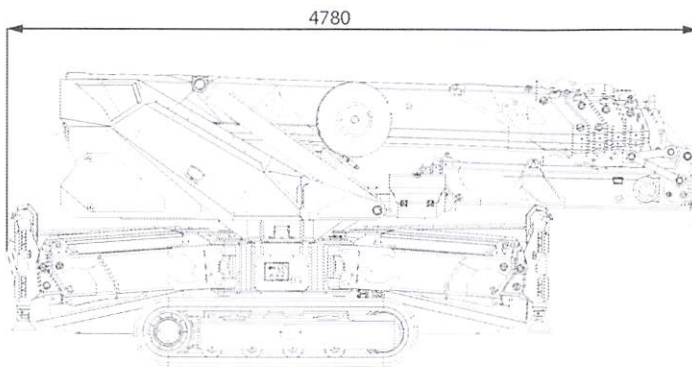
OVERALL DIMENSIONS STABILITY DIMENSIONS



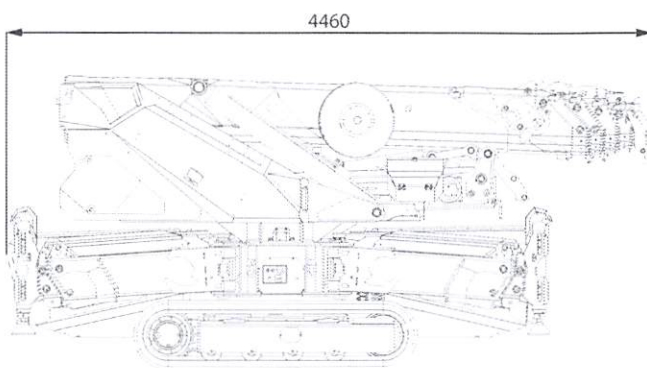
OVERALL DIMENSIONS SPX650CL BASE MACHINE



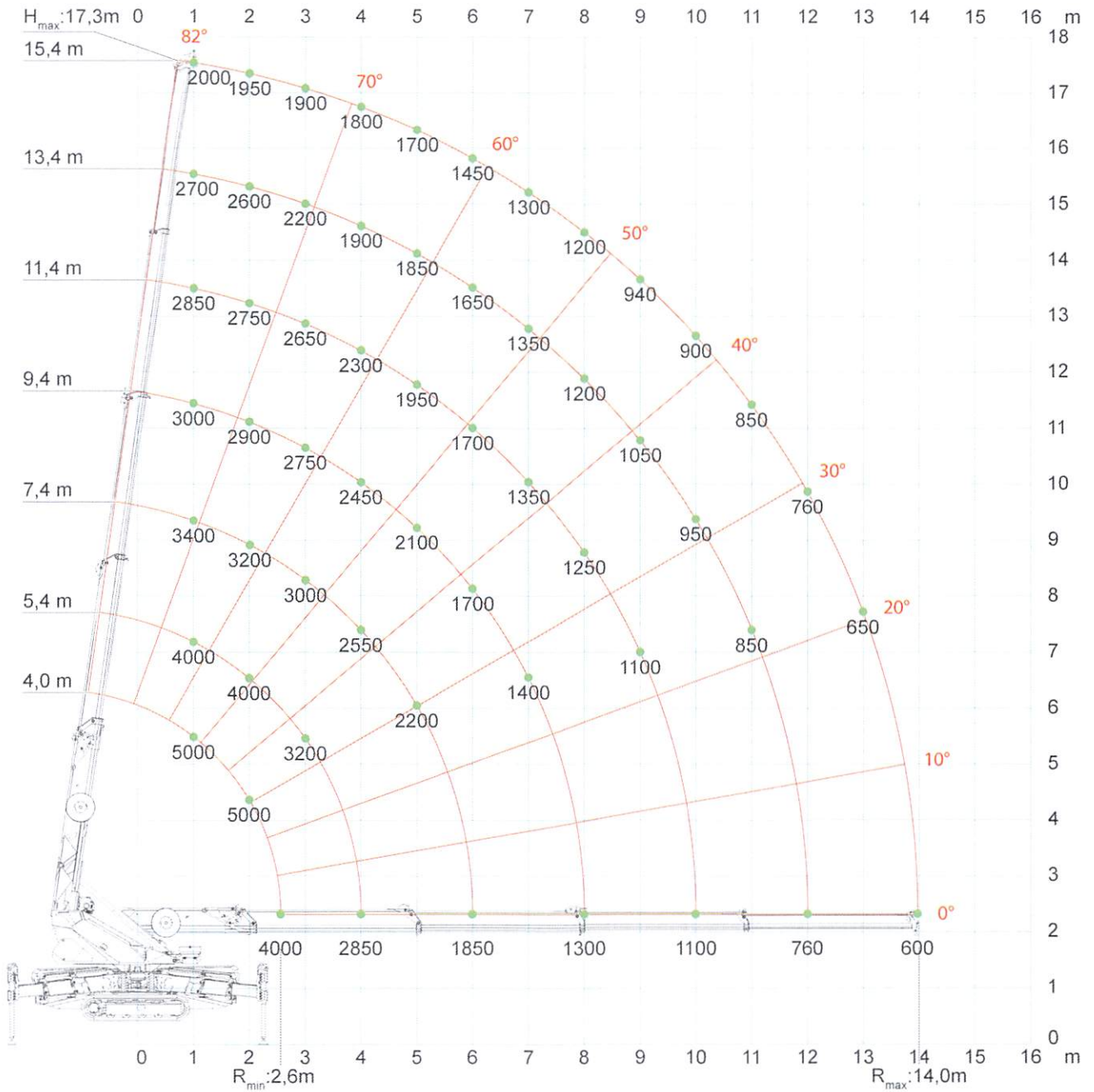
JIB MOUNTED



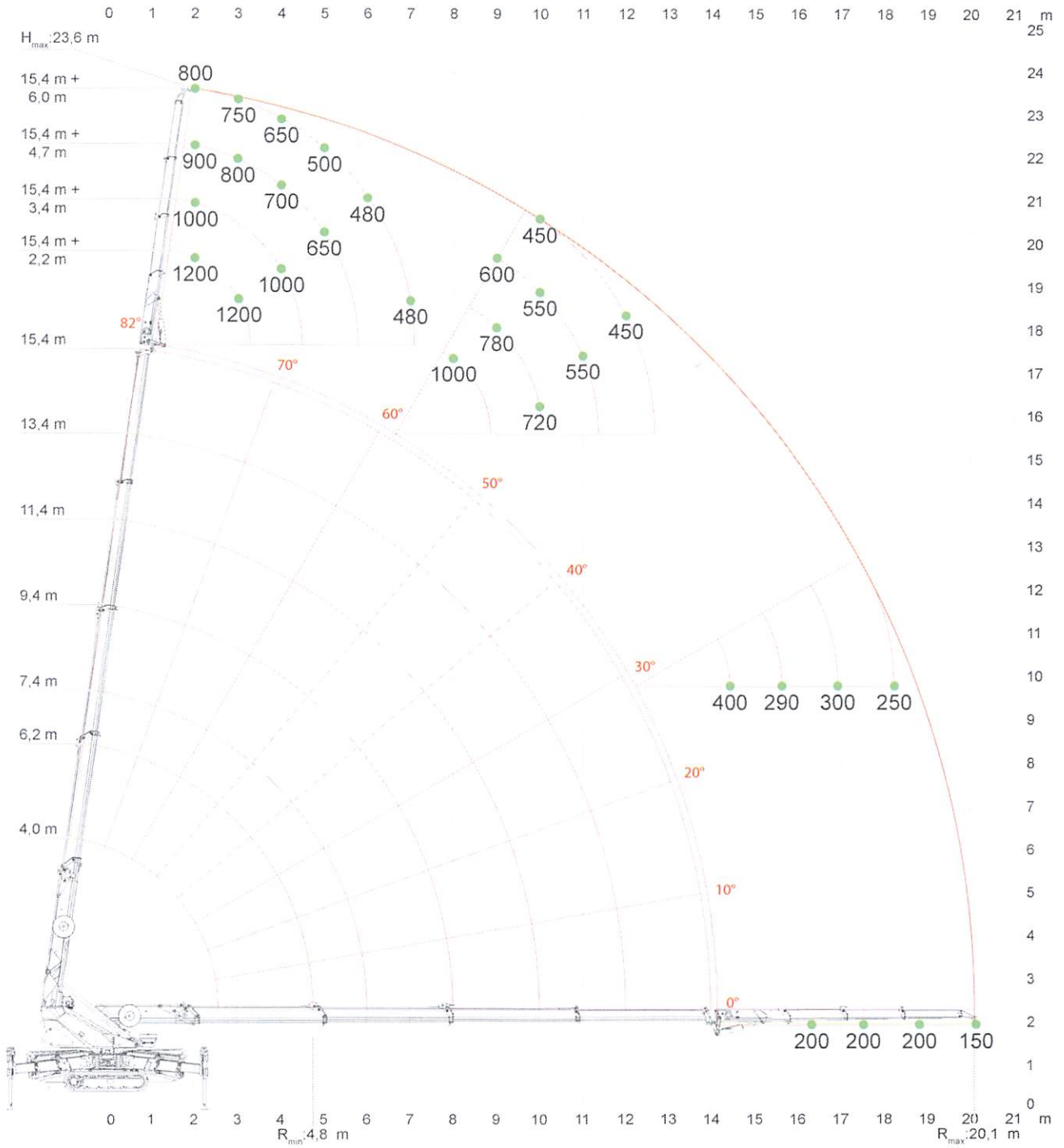
JIB STOWED



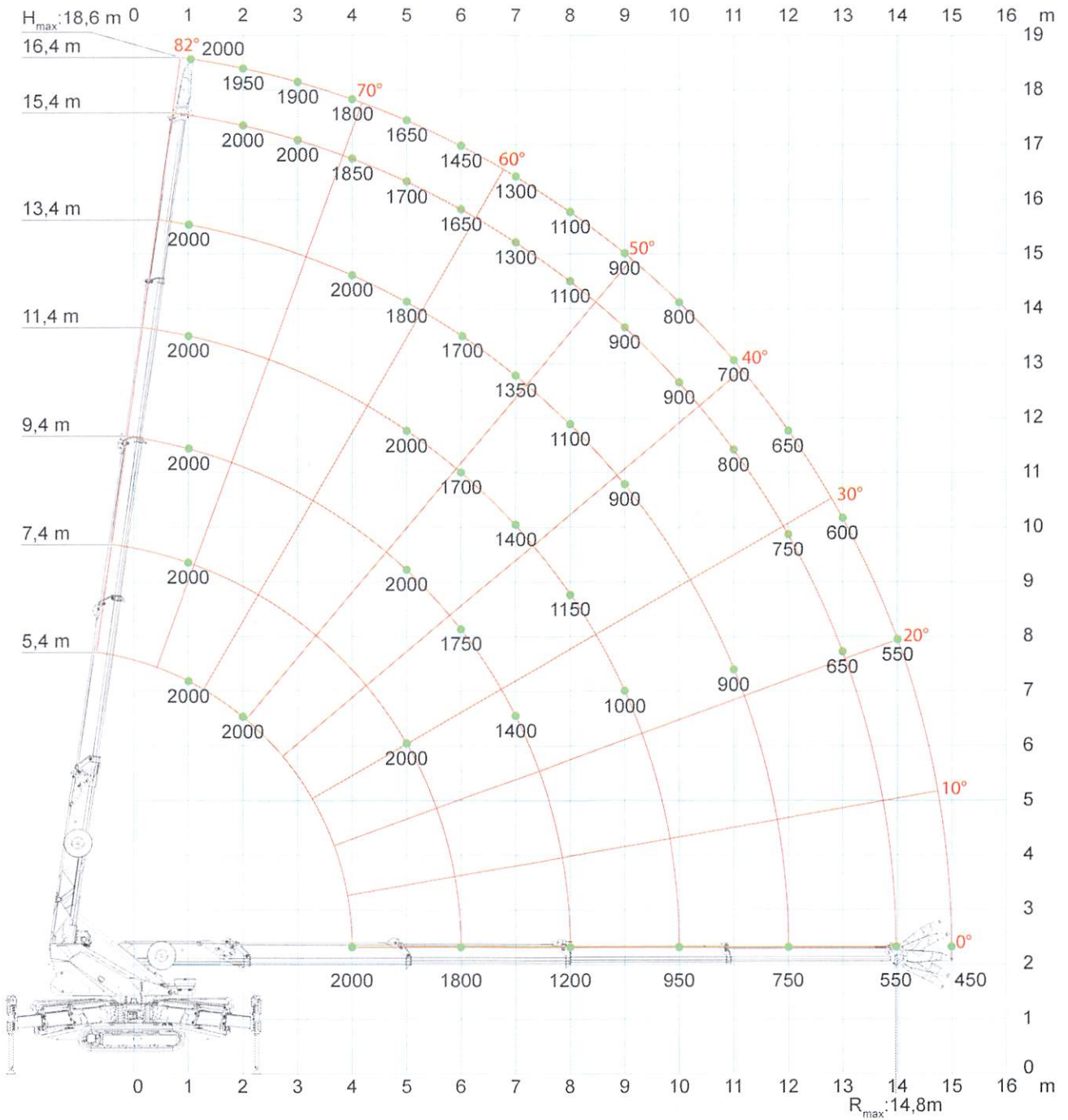
SPX650 - MAIN BOOM



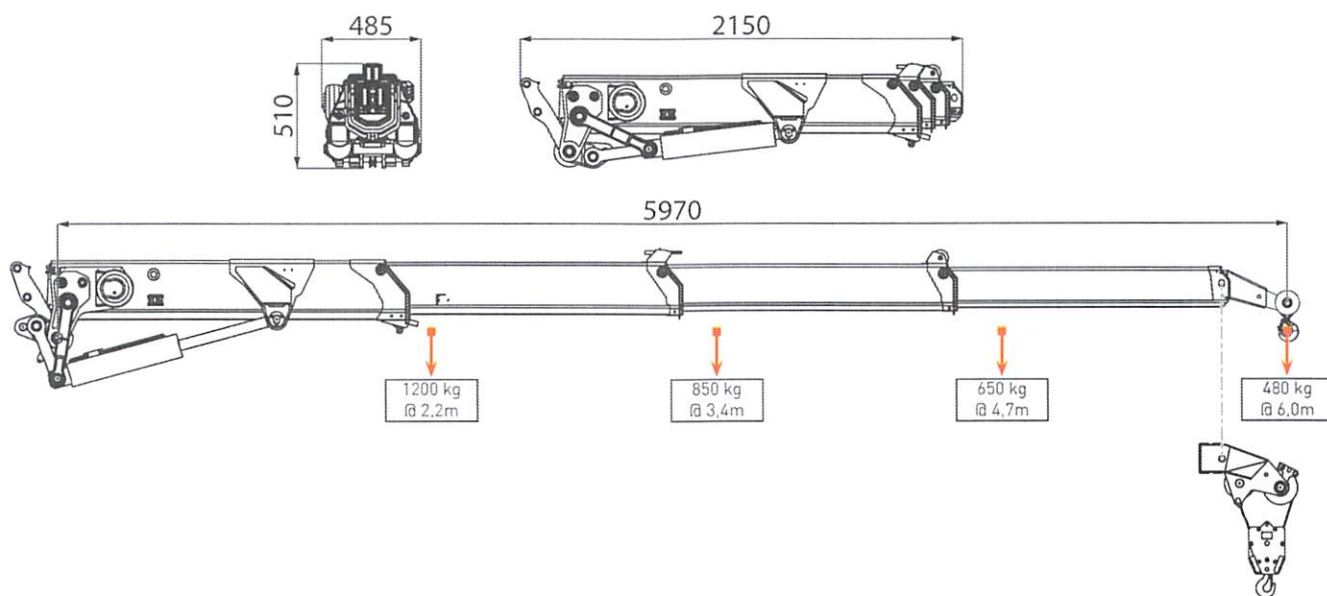
SPX650 - JIB1200.3H



SPX650 - JIB2000



ACCESSORIES FEATURES JIB1200.2H



JIB2000

